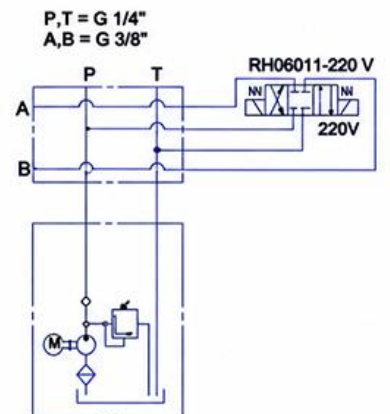
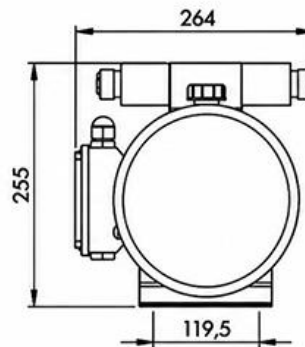
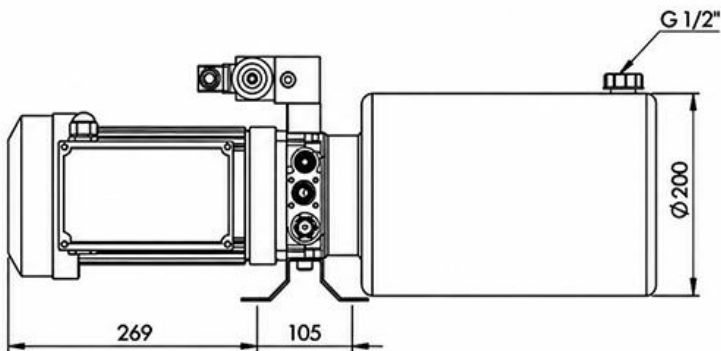
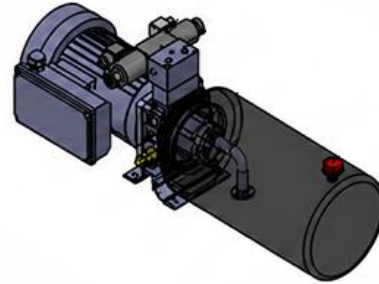
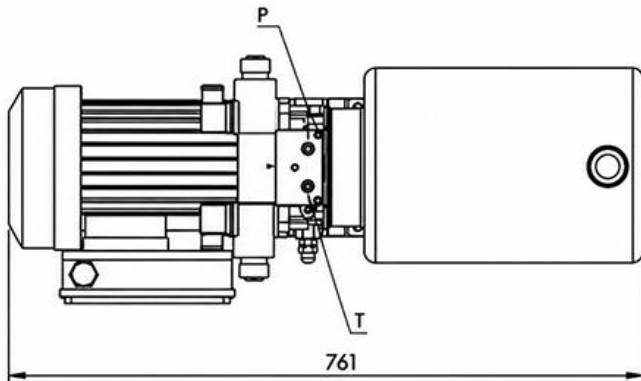
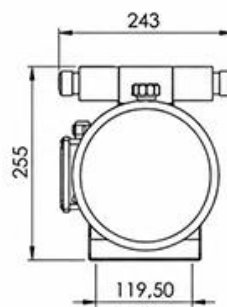
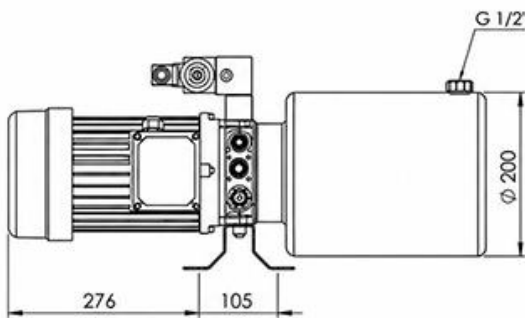
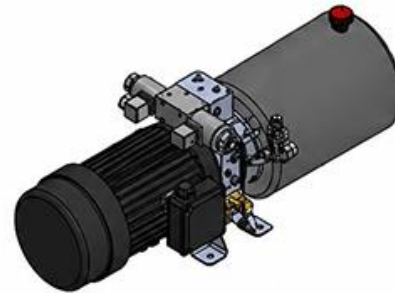
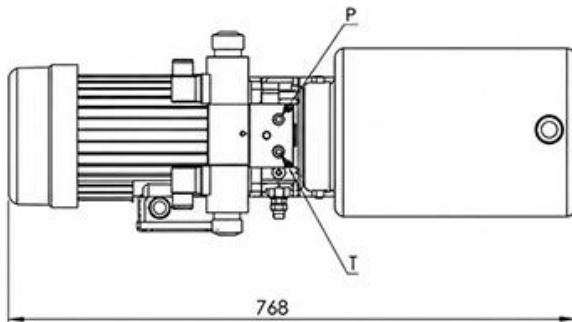


DATA SHEET – DIMENSIONS

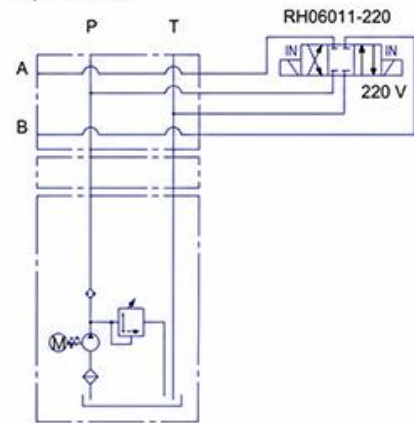
10451: MINI HYDRAULIC POWER-PACK UNIT 230V AC (2.2 KW) - 8.0 CC - 11.2 LIT/MIN - TANK 12 LIT



10450: MINI HYDRAULIC POWER-PACK UNIT 380V AC (2.2 KW) - 8.0 CC - 11.2 LIT/MIN - TANK 12 LIT



A, B = G 3/8"
P, T = G 1/4"



CODE	VOLTAGE (V)	MOTOR POWER (kW)	MAX. PRESSURE (bar)	PUMP FLOW (cc)	OIL TANK CAPACITY (l)	FLOW OF POWER PACK (lit/min)	SPEED (vrt/min)
10451	230	2,2	100	8	12	11,2	1500
10450	380		97				

CIRCUIT DIAGRAM:

